

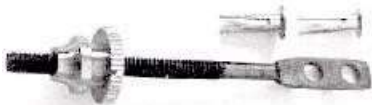
Rating Assemblies



2-1/4" Long with a brass rating nut.
76.453 # 2 \$ 6.50 ea.



2-1/4" Long with a brass rating nut.
76.454 Vienna \$ 4.25 ea.



2-1/4" Long with a brass rating nut.
76.455 Regulator \$ 4.50 ea.



Rating Assembly 3 piece for ST # 2
Regulator. 3-1/8" overall length

76.456 \$ 8.00 ea.



Regulator. 2-3/8" overall length
76.457 \$ 6.50 ea.



Banjo Tie Down
Made of cast brass
2-1/8" long X 1/2" high.

76.481 \$ 9.75 ea.

Wear plates made of Brass helps the
Wearing of the pendulum rod on the wood.



76.451 1-7/6 long Vienna



76.452 2-3/8 long Regulator
\$1.75 ea.



Suspension bridge Brass finish. For
Tall Case clocks.

2-1/4" wide X 1-1/2" high X 1-1/2" Long
78.481 \$ 12.50

Prices Subject to change without notice

Brass Pendulum Hook for # 2 Regulator.



3/4" wood rod.
76.058 \$ 4.75 ea.

VERGE PARTS



MADE OF BRASS
VERGE SADDLES 2 PER PKG.
CV79102 \$ 2.00 pkg.

SUSPENSION SPRING



3 PIECE SUSPENSION SPRING ON ROD

78.002002" Thick 18" Long

78.003003" Thick 18" Long

78.004004" Thick 18" Long

Mix Sizes OK. Sold in package of 12
\$ 8.50 doz.

2 or more doz. \$ 8.25 doz.

78.143004" Thick 13" Long

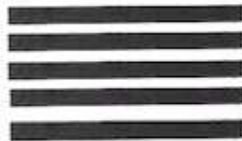
Sold in packages of 12 ... \$ 7.50 Pkg



Mantle Clock suspension Spring
2" feather004" thick ... 9" overall
Sold in packages of 12

78.142 \$ 11.00 doz.

**Ansonia swinger suspension spring
only Swinger Suspension Springs**



Set of 5 replacement swinger suspension
Springs. 4 are .0625 wide. 1 is .125 wide.

78.896004 thick \$ 5.50 set.

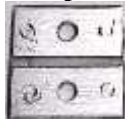
78.897007 thick \$ 5.50 set

S.T. # 2 SUSPENSION SPRING



1-3/16" long .0025" Thick
78.600 \$ 3.25 ea.

Bulle Suspension Spring



Exact replacement with silk suspension
And brass ends. For Bulle battery clock.
78.500 \$ 28.50 ea

Hermle Balance



Hermle Balance for # 140, 150, 340,
350, 1050 Movements.

79.340 \$ 78.00 ea.

3 or more \$ 77.75 ea.

Pallet Fork for Hermle



Fork for # 140, 150, 340 Movements

79.341 \$ 10.25 ea.

3 or more \$ 10.00 ea.

HERSCHEDE SUSPENSION SPRING



78.630006" thick ... \$ 4.00

OLD ENGLISH SUSPENSION UNIT



With Brass Blocks on Top and Bottom

Bottom brass block is taped to # 6-32

78.4755-5/8" long.... \$ 8.50 ea.

ANSONIA SWINGER





Replacement suspension unit for
Ansonia swinging arm clocks.

78.895 \$ 56.50 ea.

Suspension Springs

78.401 Part No.

4.5mm Overall Length
8.0mm Overall Width
10.50mm Hole To Pin
0.04mm Spring Thickness

 16 78.416 20.0mm 8.0mm 12.5mm 0.05mm	10.75ea. 3 or More 10.50ea.	 48 78.448 23.25mm 14.0mm 15.5mm 0.06mm	\$9.00 ea. 3 or More \$8.75 ea.
--	--------------------------------------	--	--